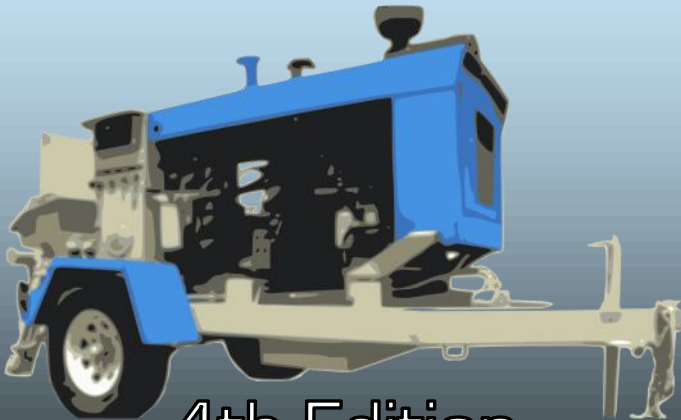


CRS Pump Parts .com

Safety. Quality. *"You're Worth The Difference"*



Concrete Pump Parts
& Accessories



4th Edition

Two Locations to
Serve You Better

Portland,
Maine,
USA



Moncton, New Brunswick, Canada



All manufacturers names, symbols and descriptions listed in this catalog, and on our website are used for reference purposes only and it is not implied that any part shown is the product of these manufacturers.

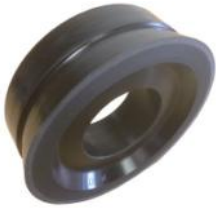
Table of Contents

<u>Putzmeister Trailer Pump</u>	<u>Page</u>
Trailer Pump Parts	1-4
<u>Putzmeister Boom Pump</u>	
S-Tube	5-6
Back End	7
Agitator Shaft & Bearing	8-9
Wear Parts	10-11
<u>Schwing Boom Pump</u>	
Rock Valve Assembly	12-13
Outlet Assembly	14-15
Ram Flanges	15
Cylinder Seals	16
Wear Parts	16-17
Agitator Motor, Bearings & Paddles	18
Gate Valve	19
Siamese Hook Up	19
<u>Placing and Reducing Hose</u>	
Placing Hoses	20-21
Reducing Hoses	21
<u>Clamps and Gaskets</u>	
Clamps	22-23
Putzmeister Accessory Clamps	24
Schwing Accessory Clamps	24
Gaskets	25

Table of Contents

<u>Enviro-Systems</u>	<u>Page</u>
Pump Primer	26
Concrete Retarder	26
Concrete Remover	26
Concrete Sticking Prevention	26
Heavy Duty Truck Wash	26
Custom Hopper Oil Sprayer	26
Enviro-Sac	27
<u>Elbows, Reducers & Pipes</u>	
Boom, Line, Reducing, Elbows	28-29
Putzmeister Specialty Elbows	29
Schwing Specialty Elbows	29
Reducers	30
Weld On Ends	31
Pipes, Shut Off Valves	32-33
<u>Water Pumps & Hopper Vibrators</u>	
Water Pumps and Rebuild Kits	34
Hopper Vibrators	34
<u>Accessories</u>	
Nylon Safety Straps	35
Batteries and Chargers	35
E-Stop Control	35
Shotcrete Nozzles	35
Clean Out Accessories	36
<u>Filters</u>	
Putzmeister	37
Schwing	37

Trailer Pump



Delivery Piston Seal

U056839005



Guide Ring

U019447007



Chrome Wear Sleeve

U261611005



Thrust Ring

U430378



Spacer Disc

U430379



Wear Ring

U430408



Spectacle Wear Plate

U430406



Oring 155 x 4

U043435001



Swinging Lever D80

U458733
(U400493)

Trailer Pump



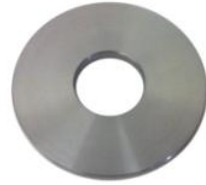
Disc 70 x 4

U257429007



Set of Ball Cups
(2pcs)

U275694005
(U256300004)



Washer

U410555



Hex Nut

U033718000



Securing Plate
U603014
(U254500000)
(U519253)



Securing Plate

U261349005



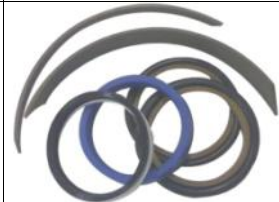
Complete Upper
Housing Assy

U401783



Plunger Cylinder
160-60

U262840008



Plunger Cylinder
Seal Kit

U262840008SK

Trailer Pump



Lip Seal Ring

U248347004



Guiding Band

U295375003



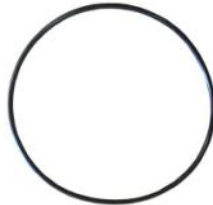
Scraper Ring

U463557



Oring 165 x 8

U041463004



Oring 170 x 5

U233925004



Support Flange

U242572008



Bearing Flange
60mm

U242573007



DU Bushing
D60 60mm

U222484006



Oring 60mm

U043909003

Trailer Pump



Seal 60mm

U242574006



Support Flange

U220229001



Mixer Shaft,
Right Part

U288387008



Mixer Shaft,
Left Part

U050755004



Mixer Shaft,
Central Part

U256554009



Hydraulic Motor
OMH500
U484279
(U238130001)

Please call or email to inquire for any parts that are not listed, we will do our best to provide a quote for you.

S-Tube



S-Tube S2018PN

U402866



Big Mouth S-Tube
S2318LSP9

U434023



Chrome Wear
Sleeve

U228383004



Swinging Lever D80

U458733
(U400493)



Set of Ball Cups
(2pcs)
U275694005
(U256300004)



Complete Upper
Housing Assembly

U027864009



Wear Sleeve

U027782000



Housing Assembly
Seal Kit

U027864009SK



Complete Upper
Housing Assembly

U274893001

S-Tube



Washer

U410555



Plunger Cylinder
160-60

U262840008



Plunger Cylinder
Seal Kit

U262840008SK



Hex Nut

U033718000



S-Tube Sweeper
Assembly

U220219008

Back End



Transition Elbow
ZXM150
U417730
(U242327004)



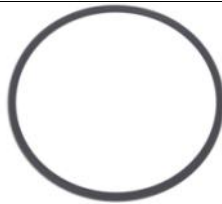
Elbow 6" ZX Male
x 6" ZX Female
U292079001
(UA104003PHT)



Reducer
6" ZX Male x 5"M
x 1200mm
P6548RPMHPHT



Outer Housing
U508064
(U240391003)



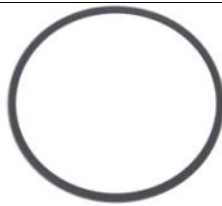
O-ring
U069042009



Holding Pin
U262639002



Wedge
U522382
(U426793)



Priming Port
O-ring
U043017005

Agitator Shaft & Bearing



Mixer End Shaft
60mm

U275587002



Bearing Flange
60mm

U242573007



Seal 60mm

U242574006



DU Bushing
D60 60mm

U222484006



O-ring
60mm

U043909003



Hydraulic Motor
OMH500
U484279
(U238130001)



Center Mixer
Shaft

U243189005



Left Mixing
Paddle

U406795



Right Mixing
Paddle

U406796

Agitator Shaft & Bearing



Disc Washer

U055916000



Screw Plug

U042283005

Wear Parts



Wear Plate

U229488005



Wear Ring

U251031006



Thrust Ring

U252898002



Big Mouth
Wear Plate

U261122002



Big Mouth
Wear Ring

U261123001



Big Mouth
Thrust Ring
U458878
{U269520004}



Big Mouth
Intermediate Ring

U263330009



Delivery Piston
DN230

U262893000
{U019003001}



Guide Ring
230mm

U080672005

Wear Parts



235 x 5 O-ring

U043635005



M16 x 125 Bolt

U262287001



Lock Washer

U036509009

Rock Valve Assembly



Rock Valve
DN210

S10059467



Slewing Shaft
2 Bolt Style

S10064073



Slewing Lever

S10018071



Safety Disc 30
Burnished

S10015401



Slewing Shaft Bolt

S10001295



Bearing Bushing

S10018037



Bearing Bushing

S10018047



Sealing Cover

S10018035



O-ring
95 x 8

S10016241

Rock Valve Assembly

O-ring
70 x 8

S10017436



Tension Nut

S10043980



Setting Disc

S10017396



Cover

S10018073

Outlet Assembly



Outlet
14deg

S10026159



O-ring
200 x 10

S10000602



Transition Elbow

S10017547



D-ring
DN150

S10004761



Elbow
DN150

S10069521



Reducer
6" Fem x 5"Metric
x 1600mm

S10029635



Wedge

S10004709



Holding Pin

S10002386



Bolt for
Holding Pin

S10018117

Outlet Assembly



Washer for
Holding Pin

S10001639



Hinge Bolt
Assembly

S10018123



Steel Hopper
Door

S10080782



Hopper Door Seal

S10035783



Hopper Door
Wedge Left

S10032789



Hopper Door
Wedge Right

S10032788

Ram Flanges



Ram Flange 8"
DN200

S10161754



Ram Flange 9"
DN230

S10161634



Ram Flange 10"
DN250

S10161980

Cylinder Seals



Differential
Cylinder Sealing
Gland Set
S10003421



Differential
Cylinder Scraper
S10002329

Wear Parts



Mounting Plate
180/200/230
S10074769



Mounting Plate
S10166657



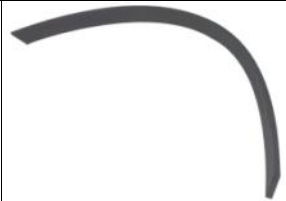
Wear Plate 8"
DN200
S10074767



Wear Plate 9"
DN230
S10074768



Wear Plate 10"
DN250
S10166658



Pressure Spring
Belt
DN210
S10064472

Wear Parts



Pressure Spring
Belt
DN220
S10181917



Pressure Spring
Belt
DN230
S10166975



Cutting Ring
DN210
S10063939



Cutting Ring
DN220
S10181916



Cutting Ring
DN230
S10166890



Kidney Seal
DN180
S10029138



Kidney Plate
DN180
S10018046



Cover Lining
Hard Faced
S10018029

Agitator Motor, Bearings & Paddles



Agitator Motor

S10039180



Drive Bearing Assembly

S10061072



Fixed Bearing Assembly

S10061073



Agitator Bearing Seal

S10061076



E-Rock Paddle
AR400 Steel

S10167219



Mod-Rock Paddle
AR400 Steel

S30311720



Agitator Complete
Shaft w/ Paddles
46 1/4" OAL
S10167220



Agitator Complete
Shaft w/ Paddles
55" OAL
S10052446

Gate Valve



Gate Valve Rod
8"

S10003037



Cup Body Pearl
8"

S10014012



Guide Sleeve

S10013830

Siamese Hook Up



Holding Bolt

S10002343



Lock Nut

S10009597



Wedge

S10006368



Holding Pin

S10004756



Threaded Bolt

S10004711



Disc

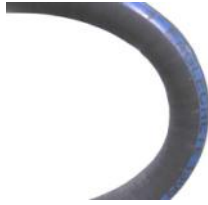
S10014274

Placing & Reducing Hoses

Placing Hoses



2" x 25ft, Textile
1000psi, HD Ends



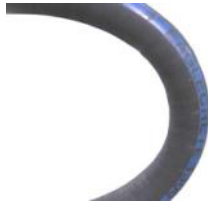
2" x 50ft, Textile
1000psi, HD Ends



2.5" x 25ft, Textile
1000psi, HD Ends



2.5" x 25ft, Wire
Braid, 1300psi
HD Ends



2.5" x 50ft, Textile
1000psi, HD Ends



3" x 10ft, Textile
1000psi, HD Ends



3" x 10ft, Wire
Braid, 1300psi
HD Ends



3" x 15ft, Textile
1000psi, HD Ends



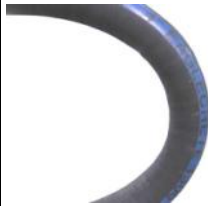
3" x 15ft, Textile
1000psi, HD End-
Open End

Placing & Reducing Hoses

Placing Hoses & Reducing Hoses



4" x 10ft, Textile
1000psi, HD Ends



4" x 10ft, Wire
Braid, 1300psi
HD Ends



4" x 15ft, Textile
1000psi, HD Ends



4" x 15ft, Textile
1000psi, HD End-
Open End



4" x 15ft, Wire
Braid, 1300psi
HD Ends



4" x 15ft, Wire
Braid, 1300psi
HD End
Open End



Reducing
148mm x 3" x 12ft
Textile, 85 Bar



Reducing
148mm x 4" x 12ft
Textile, 85 Bar

**Other sizes
available.
Please call
for price
and delivery.**

Clamps & Gaskets

Clamps

Clamps

- Heat treated.
- Manufactured from low carbon steel
(High carbon steel is more susceptible to cracking).
- Bore machined.
- Solid pin, peened ends, not clips.
- Adjustable threads protected.
- Attached safety label.
- Pure rubber gasket Included.



Steel Clamp
Safety Pin



2" HD Clamp
Non-Adjustable



2.5" HD Clamp
Non-Adjustable



3" HD Clamp
Adjustable



3" HD Clamp
Non-Adjustable



4" HD Clamp
Adjustable

Clamps & Gaskets

Clamps



4" HD Clamp
Non-Adjustable



5" HD Clamp
Adjustable



5" HD Clamp
Non-Adjustable



5"M (148mm)
Snap Clamp



5"M (148mm)
One Bolt Clamp



5"M (148mm)
One Bolt Clamp
With Bracket



Clamps & Gaskets

Putzmeister Accessory Clamps



Putzmeister
Wedge Clamp
DN150
U240948003



Wedge

U240945009



Putzmeister
Screw Coupling
U426594
(U027707001)



Putzmeister Snap
Clamp Coupling
Two Bolt Mount
U239932004

Schwing Accessory Clamps



Schwing
Wedge Clamp
DN150
S10043559



Schwing Boom
Tip Coupling With
Flange
S10133242

Gaskets



2" HD V-Style
Gasket



2.5" HD V-Style
Gasket



3" HD V-Style
Gasket



4" HD V-Style
Gasket



5" HD V-Style
Gasket



5"M (148mm)
V-Style Gasket



5"M (148mm)
Cavity-Style
Gasket

Gaskets

- Made from pure rubber.
- Anti oil compound.



Pump Primer
Slick Willie 2
50-4oz Bags/Pail
or Box



Pump Primer
EZ Prime
50-2oz Packets/
Box



Pump Primer
Prime-A-Pac
18-32oz Bags/
Pail or Box



Concrete Retarder
Slow Willie
20-16oz Bags/
Pail or Box



Concrete
Remover
Crete Buster
5 Gal Container



Concrete Sticking
Prevention
Willie Shield
5 Gal Container



HD Truck Wash
Prime-A-Wash
5 Gal or 1 Gal
Container

Custom Hopper Oil Sprayer

- Painted steel tank, easy fill flap.
- Operates off of truck air pressure.
- Eliminate the need to use oil from hydraulic pump reservoir.
- 55psi pop off safety valve.



EnviroSac Concrete Cleanout System

- Bags are disposable, easy to store.
- No special equipment or training needed.
- Centralize washout and minimize mess on jobsite.
 - Provides the perfect place to prime or cleanout pump.
- Convenient to pickup with forklift, hoist, loader, crane for easy transport and disposal.
- Works on small residential or commercial jobsites.



Pop-up
Ready Mix
Chute Bag
20" x 20" x 15"

Pump Bags

Ready Mix Bags



Large
Ready Mix Bag
(Frame Extra)
42" x 42" x 43"



Medium
Hybrid Bag
43" x 43" x 19"



Extra Large
Pump Bag
42" x 72" x 16"

Elbows, Reducers & Pipes

Elbows

45° & 90° Elbows

- Heat treated.
- Made with stronger wearing high manganese.



5"M (148mm)
x 45 Deg



5"M (148mm)
x 90 Deg

"FAT BACK"

45° & 90° Elbows
have up to 40%
thicker material
than competition.



3"HD x 45 Deg
Line Bend Elbow



3"HD x 90 Deg
Line Bend Elbow



4"HD x 45 Deg
Line Bend Elbow



4"HD x 90 Deg
Line Bend Elbow

Elbows, Reducers & Pipes

Elbows

Reducing Elbows



5"HD > 3"HD
X 90 Deg
Reducing Elbow



5"HD > 4"HD
X 90 Deg
Reducing Elbow

Specialty Elbows



Schwing
14 Deg Elbow

S10009928



Schwing
32.5 Deg Elbow

S10035756



Putzmeister
15 Deg Elbow

U057598002



Putzmeister
20 Deg Elbow

U245484009



Putzmeister
30 Deg Elbow

U258935008

Elbows, Reducers & Pipes

Reducers

Reducers

- Inside hardened.
- Outside softer material (Outside harder material is more susceptible to cracking).
- Ends are flange welded.
- Handles are welded to a plate (Less stress on pipe).
 - Outlet end has increased wall thickness and hardness (Greater wear occurs at outlet end).



3"HD - 2"HD x 36"
Hardened Steel



3"HD - 2.5"HD X
28"
Hardened Steel



4"HD - 2"HD x 36"
Hardened Steel



4"HD - 3"HD x 36"
Hardened Steel



5"M - 3"HD x 36"
Hardened Steel



5"M - 4"HD x 36"
Hardened Steel

Elbows, Reducers & Pipes

Weld On Ends



2" HD



2.5" HD



3" HD



4" HD



5" HD



5"M (148mm)



Chrome Carbide
5"M x 5mm



Chrome Carbide
5"M x 7mm

Chrome Carbide Weld On Ends

- Two stage heat treated.
- Insert 40mm wide, 63 HRC.

Elbows, Reducers & Pipes

Pipes



5" M x 3 Meter
x 5mm
Ind Hardened
Boom Pipe



5" M x 3 Meter
x 7mm
Ind Hardened
Deck Pipe



Boom and Deck Pipe

- Manufactured from ST52 plus steel.
 - Inside is induction hardened.
- Chrome carbide Insert ends, 40mm wide.
- Smooth transition from pipe to end, no step.
 - Metal ID tag with serial number.
- Boom pipe 0.5mm heavier wall than competition.
 - Boom pipe weight 49kg (108Lbs)



5" U-Bolt M16

Boom U-Bolt



4" HD Shut Off Valve



5" M Shut Off Valve

Elbows, Reducers & Pipes

Pipes



3"HD x 3Meter

Line Pipe



4"HD x 3Meter

Line Pipe

Line Pipe

- Manufactured from 1020 steel.
- Properly welded HD ends.
- Metal ID tag.



Water Pumps & Hopper Vibrators

Water Pumps and Rebuild Kits



Hypro 1502C
Water Pump



Hypro 1502C
Water Pump
Repair Kit



Hypro 7560C
Water Pump



Hypro 7560C
Water Pump
Rebuild Kit

Water Pumps and Rebuild Kits

- Cast iron body and rotor.
- Stainless steel shaft.
- Buna-N shaft seals.
- "Super rollers" provide the chemical resistance of polypropylene and the life of nylon.

Hopper Vibrators



12 Volt Hopper
Vibrator



24 Volt Hopper
Vibrator

Hopper Vibrators

- Stainless steel end caps.
- Multi-positioning base.
- 441Lbs max force, 3000RPM.
- 6FT power cord Included.

Accessories



1" x 52" Nylon
Safety Strap



1" x 82" Nylon
Safety Strap



Ratchet Strap



Makita 9.6 Volt
Battery



Makita
Automotive
Charger



Putzmeister
NiMH Battery
U458017



E-Stop Control

AKIT-1821-01



Shot Crete Nozzle
Short



Shot Crete Nozzle
Long

Accessories

Clean Out Accessories



2" Soft Sponge
Clean Out Ball
• High Density
Foam



2.5" Soft Sponge
Clean Out Ball
• High Density
Foam



3" Soft Sponge
Clean Out Ball
• High Density
Foam



4" Soft Sponge
Clean Out Ball
• High Density
Foam



5" Hard Sponge
Clean Out Ball
• High Density
Foam



6" Soft Sponge
Clean Out Ball
• High Density
Foam



6" Sponge Clean
Out Cylinder
• High Density
Foam



5" Go Devil

Putzmeister, Schwing Filters



Putzmeister

- U248911003
- U222895006
- U273827007
- U294073005
- + More

Schwing

- S10021810
- S10072694
- S30318961
- S10155110
- S10028950
- S30330468
- S10002989
- S10190588
- + More

CRS Pump Parts.com stocks
and supplies filters for your pump.

Other filters are also available for
various types of heavy equipment.

Please inquire today.

*Please call or email to inquire
for any parts that are not listed,
we will do our best to provide
a quote for you.*

At CRS, we have, to the best of our ability, researched reputable suppliers to give you the safest and best quality product that we can supply.

Please shop with confidence and know we will do our best to work with you everyday.

Thank you for your continued support,
Josh & Andy



*Representing 45 Years of Experience
Manufacturing Quality Wear Parts,
European Made*

CRS Pump Parts .com

Terms & Conditions

Prices, Designs and Terms and Conditions of Sale are subject to change without notice.

All material is carefully counted and packed. Claims for corrections must be made within 10 days of receipt of goods. Our responsibility ceases when goods are delivered to carrier in good condition and its receipt is obtained. Carriers are responsible for goods lost, damaged or delayed in transit. For your own protection, have the transportation company's agent verify damages, shortages, or delays and note them on the freight bill over his signature.

Goods may not be returned without a RGA from a Component Repair & Supply salesperson. A minimum 20% restocking charge will apply to all goods returned.

CRS Warranty

We warrant each new product and repair made or distributed by us to be free from defects in material and workmanship, for a period of 3 months under normal service from date of delivery. Our obligation and liability under this warranty being expressly and exclusively limited to repairing, or at our option, replacing, free of charge at our factory.

Parts claimed to be defective and for which repair or replacement is desired shall be, if requested by us, returned transportation prepaid to our factory for inspection.

THIS WARRANTY IS IN LIEU OF ALL OTHER WARRANTIES, EXPRESSED OR IMPLIED, WHETHER STATUTORY OR OTHERWISE, INCLUDING BUT NOT LIMITED TO WARRANTIES OF MERCHANTABILITY AND FITNESS FOR ANY PARTICULAR PURPOSE, AND OUR OBLIGATION AND LIABILITY UNDER THIS WARRANTY SHALL NOT INCLUDE ANY TRANSPORTATION OR OTHER CHARGES OR THE COST OF INSTALLATION OR ANY LIABILITY FOR DIRECT, INDIRECT OR CONSEQUENTIAL DAMAGE OR DELAY RESULTING FROM THE DEFECT. Any operation beyond rated capacity or improper use or application or substitution of parts not approved by us or any alteration or repairs by others in such manner as, in our judgement, to affect the product materially and adversely shall void this warranty in any way, and no attempt, effort or promise to repair, either by us or by any representative at any time, shall change or extend this warranty in any way. THIS WARRANTY REPRESENTS THE FINAL AGREEMENT BY THE BUYER AND US TO ALL WARRANTIES, EXPRESSED OR IMPLIED, WHICH APPLY TO THE SALE AND OR REPAIR OF THE PRODUCTS DESCRIBED. IN NO EVENT SHALL COMPONENT REPAIR & SUPPLY BE LIABLE FOR ANY INCIDENTAL OR CONSEQUENTIAL DAMAGES, EVEN IF SUCH DAMAGES ARE DIRECT OR INDIRECT OF COMPONENT REPAIR & SUPPLY'S NEGLIGENCE. BUYER AGREES TO MAKE NO CLAIM AGAINST COMPONENT REPAIR & SUPPLY BASED ON NEGLIGENCE.

Better Parts, Best Service, Guaranteed.

CRS Pump Parts .com

59 Sanford Drive, Unit #4

Gorham, ME 04038

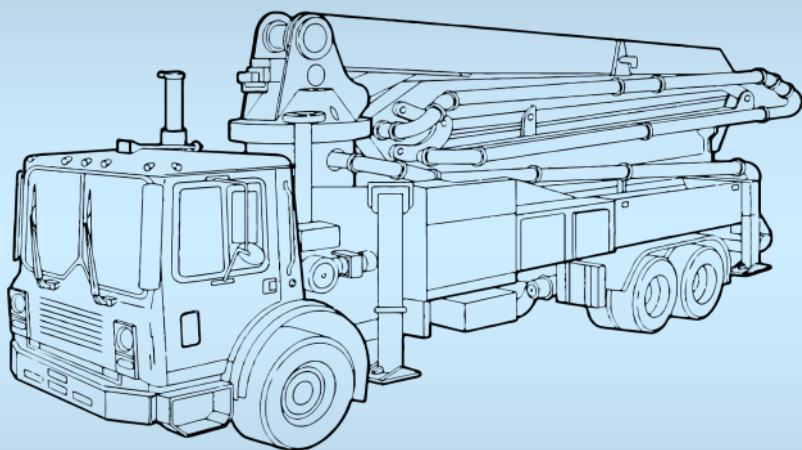
1 877 299 8591

207 856 2103 (PH)

207 856 2475 (FAX)

Contact: Josh Stultz

U
S
A



C 2125B Route 128

A Berry Mills, NB E1G-4K5

N 1 800 833 2739

A 506 857 2727 (PH)

D 506 857 1659 (FAX)

A Contact: Andy Stultz

CRS Pump Parts .com

